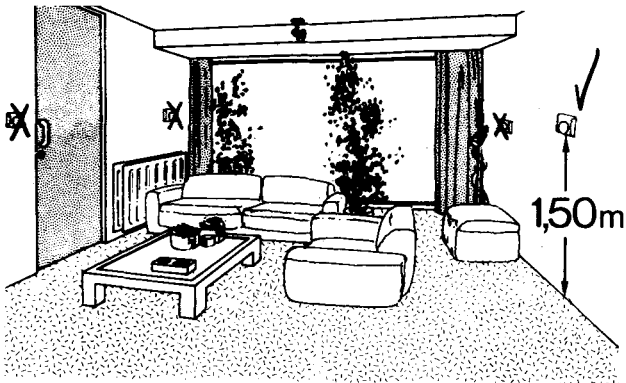


T6360/4360

INSTALLATION INSTRUCTIONS

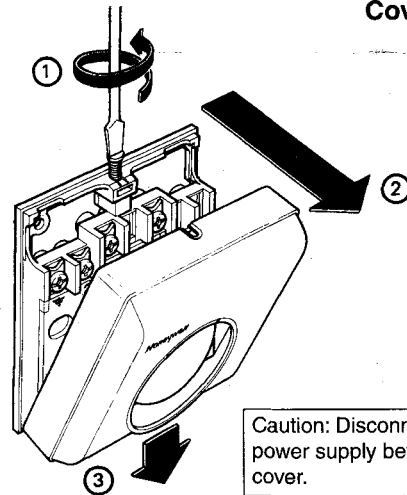
42006637-001 R7

Positioning of thermostat



1

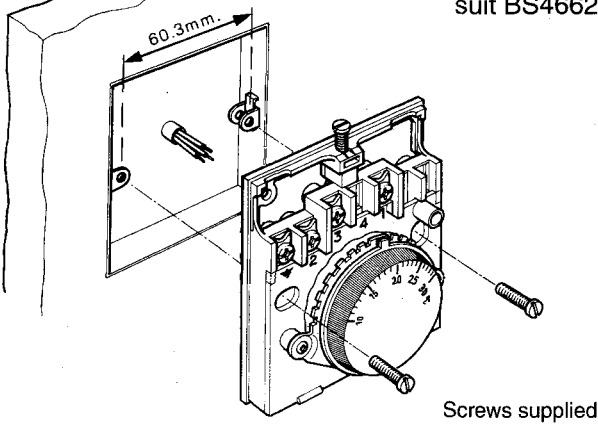
Cover removal



Caution: Disconnect system power supply before removing cover.

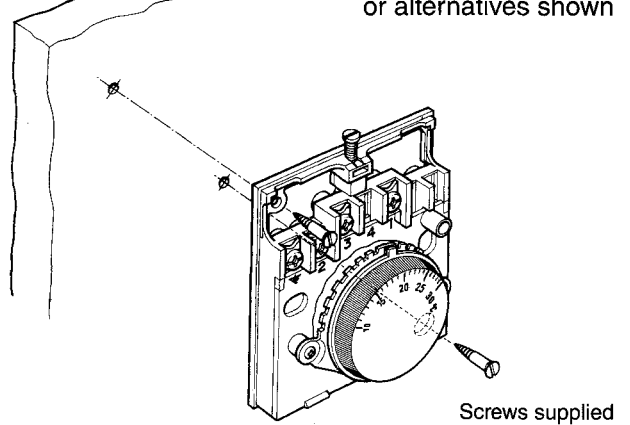
2 a

Wall box mounting Fixing holes spaced to suit BS4662



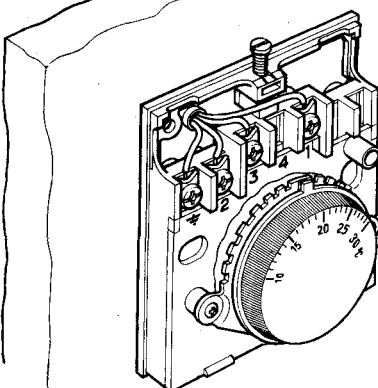
b

Surface mounting Use wall box fixing holes or alternatives shown



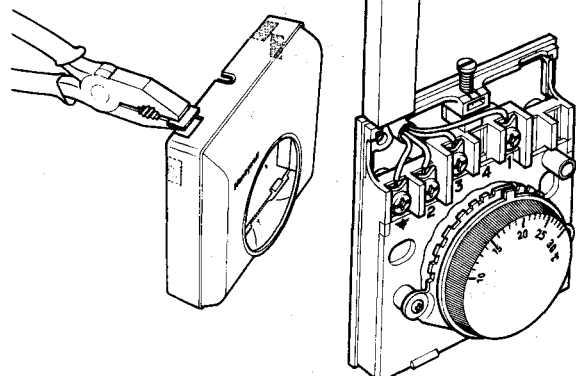
3 a

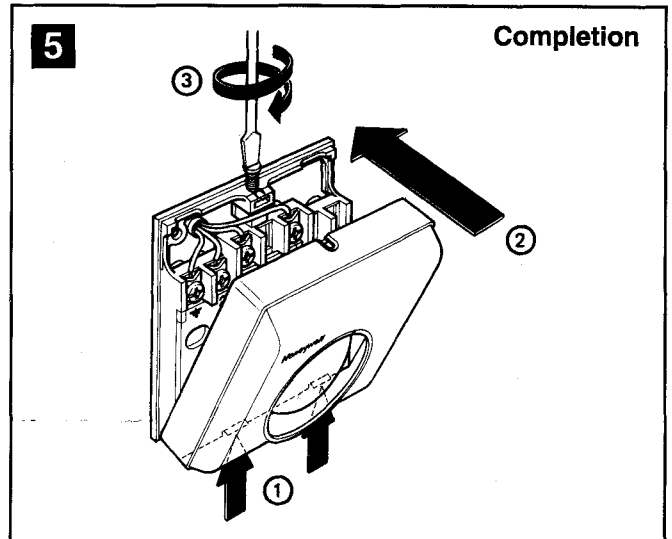
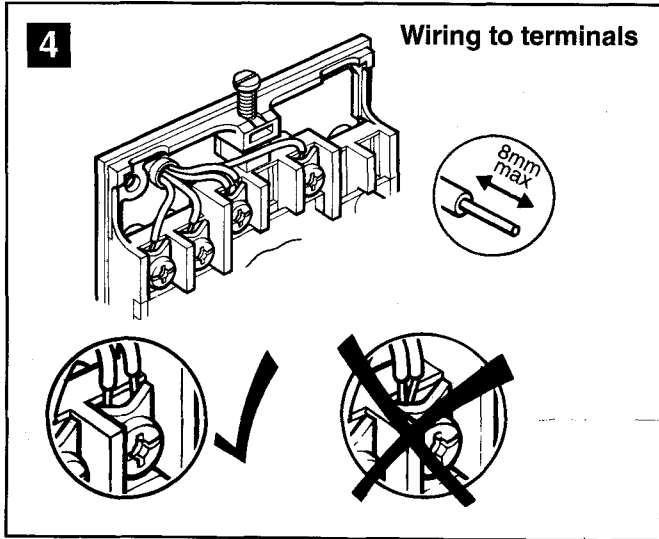
Wall box wiring



b

Surface wiring





All wiring must be in accordance with I.E.E. Regulations. This thermostat is for fixed wiring only.

A Class 'A' switch (having contact separation of at least 3mm in all poles) must be incorporated in the fixed wiring as a means of disconnecting the mains supply.

The thermostat is a Class II (double insulated) device. An earth terminal is provided for external earth wiring continuity.

The heating system must be appropriately fused. A fuse rated at no more than 10 Amps for T6360B and T4360E, or 16 Amps for T4360B should be installed.

The thermostat has 4 knockouts on the cover for surface wiring installations. Care must be taken to use the knockouts so that the cable completely fills the knockout hole without leaving any gaps. Where used, mini-trunking must be fitted

firmly against the thermostat cover in such a way as to leave no gap.

A neutral connection must be made to terminal 2 when the heating load is less than 6 Amps.

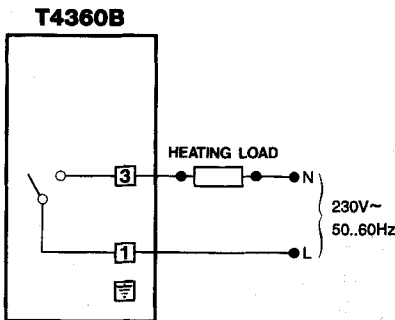
T6060 Replacement

For Central Heating applications up to 6 A., use T6360B.

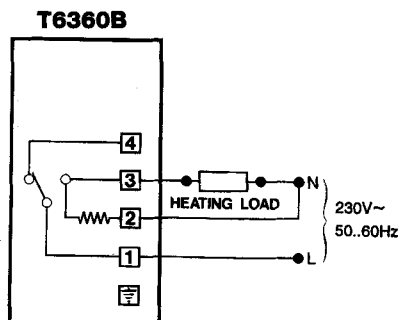
For applications between 6 A. and 10 A., again use T6360B, but without the neutral connection. (See above note regarding neutral connection.)

Use T4360B when replacing T6060B in high current applications up to 16 A.

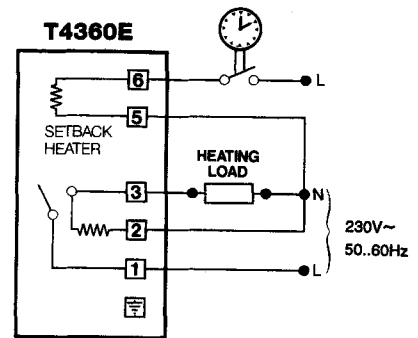
WIRING DIAGRAMS



Terminal 3: 16A max
Electric heat loads only



Terminal 3: 10(3) A max
Terminal 4: 6(2) A max
Indicator Lamp Version:
- Lamp internally wired
- illuminated on call for heat



Terminal 3: 10(3) A max

IMPORTANT: No user serviceable parts Do not dispose of in a fire

Whilst Honeywell takes all reasonably practicable steps to design and manufacture its products to comply with the requirement of the Health and Safety at Work Act 1974, all products must be properly used and Purchasers are reminded that their obligations under the Act are to ensure that the installation and operation of such products at a place of work should be safe and without risk to them.

Honeywell reserve the right at any time and without notice to change any product or any information contained in this publication.

The wiring diagrams and installation instructions in this publication are for guidance purposes on recognised standard systems only. Any application of this product not shown here, or any deviation from these instructions, is neither recommended nor advised. Any such application or deviation must be referred to Honeywell for technical assistance.

Honeywell

Honeywell Control Systems Ltd.
Arlington Business Park
Bracknell
Berkshire, RG12 1EB
Tel: 01344 656000