

**Baumatic**

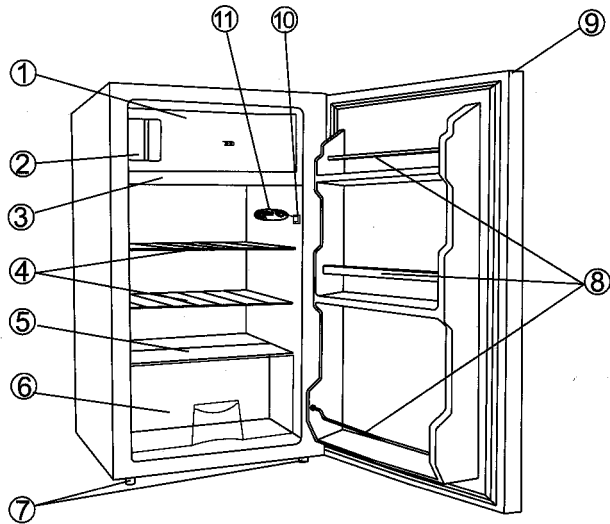
**BF 150W**

**Fridge**

**Instructions**

# 1. Name of parts

## PARTS AND FEATURES



- ① Freezer Compartment Door
- ② Freezer Compartment
- ③ Drip Tray
- ④ Shelves of refrigerator chamber
- ⑤ Glass cover
- ⑥ Crisper box
- ⑦ Leveling Legs
- ⑧ Bottle Racks
- ⑨ Recessed Handle
- ⑩ Door switch
- ⑪ Temperature Control Knob

## 2. Correctly positioning

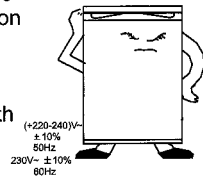
### Well Ventilating

There is need of good ventilation around the refrigerator for easy dissipation of heat, high efficiency of refrigeration and low power consumption. For this purpose, sufficient clear space should be need around the refrigerator. Its back is at least 100mm away from the wall, its sides at least have a space of 100mm separately and the height from over its top is not less than 200mm. A clear space should be left to open its doors to 160°



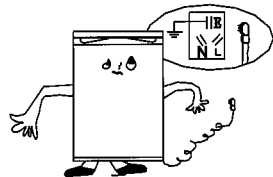
### Power Supply

The refrigerator is only applied with power supply of single phase alternating current of (220-240)V~/50Hz;230V~/60Hz.If fluctuation of voltage in the district user is of so large that the voltage exceeds the above scope, for safety sake, be sure to apply a.c. automatic voltage regulator to the refrigerator. The refrigerator must employ a special power socket instead of common one with other electric appliances. Its plug must match the socket with ground wire.



### Power Line Cord

The cord should be neither lengthened nor folded into coil during operation. Moreover, it is forbidden that cord is kept close onto the compressor at the back of the refrigerator, the surface temperature of which is quite high when operating. Touching with it would deactivate the insulation or cause leakage for electricity.



### Protection from Moisture

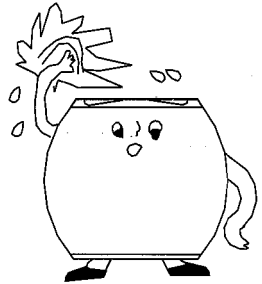
Avoiding placing the refrigerator in a place where heavy moisture is present so as to minimize possibility of rusty for its metal parts. Still more, the refrigerator is forbidden to be directly sprayed by water, otherwise, poor insulation and current leakage would occur.



## 2. Correctly positioning

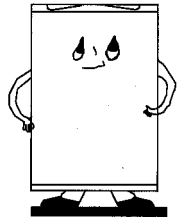
### Protection from Heat

The refrigerator should be far away from any heat source or direct sunshine.



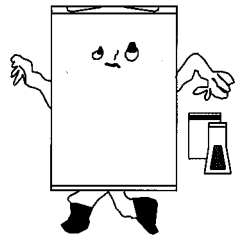
### Fixing Stable

Floor on which refrigerator will be placed must be flat and solid. It should not be laid on any soft material such as foam plastic, etc. If the refrigerator is not on the same level, adjust the screws suitably. The refrigerator should not be placed near anything which may echo.



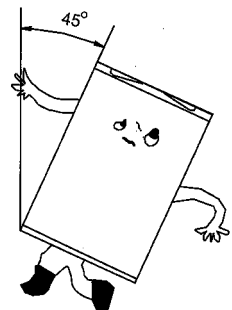
### Keep Away from Danger

It is inadvisable that the refrigerator is placed near any volatilizable or combustible such as gas, petrol, alcohol, lacquer and banana oil, etc. The above-mentioned objects can not be stored in the refrigerator.



### Moving

When fixed or moved, the refrigerator can not be set horizontally or declined to more than 45° or upside-down.



### 3. Cautions

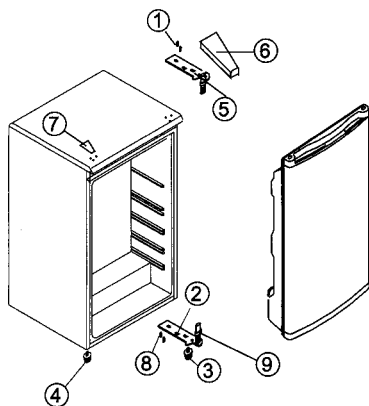
- ★ Water contained in food or getting into air inside the refrigerator by opening doors may form a layer of frost inside, It will weaken the refrigerator when the frost is thick, while it is more than 2mm thick, you should defrost.
  
- ★ Defrosting in freezer chamber is operated manually. Before defrosting, take the food, the ice tray and the shelf out into the cold storing chamber temporarily then set the knob of the temperature regulator to position "0" (where the compressor will stop working) and leave the door open until ice and frost dissolve thoroughly deposited at the bottom of the freezer chamber, wipe off the water with soft cloth., In the case of speeding up the defrosting, you may put a bowl of warm water (about 50°C) into the freezer chamber, and be sure to set the knob of the temperature regulator to original position after defrosting.
  
- ★ It's inadvisable to heat the freezer chamber directly with hot water or hair dryer while defrosting to prevent deformation of the inner case.
  
- ★ It's also inadvisable to scrape of ice and frost or separate food from the containers which have been congealed together with the food with sharp tool or wooden bars, so as not to damage the inner casing or the surface of the evaporator.
  
- ★ If the supply cord of this appliance is damaged, it must only be replaced by a repair shop appointed by the manufacturer, because special purpose tools are required.

## 4. Changing the reversible door

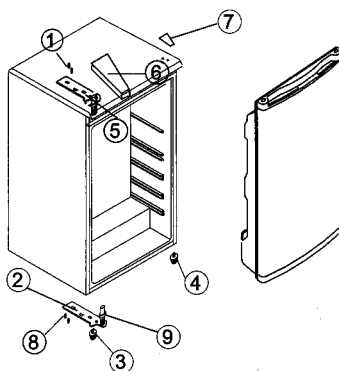
This refrigerator has been built with the door hinges on the right. If you wish to change the opening direction, follow the instructions below:

1. Remove the upper hinge cover(6) first
2. Remove the two screws (1) that hold the upper hinge (5) (right side) to the frame. Take away the upper hinge (5).
3. Lift the door and place it on a padded surface to prevent scratching it.
4. Remove the two screws(8) that hold the lower hinge(2) and Make sure to Remove the lower hinge(2).
5. Remove the left front leg (4) and transfer it to the right side.
6. Remove the hole cover plate(7) to the right side.
7. Before placing this lower hinge(2), remove the bolt-pin (9) and reverse the direction of the lower hinge(2). Then install the lower hinge (2) onto the left side of the lower frame with two screws (8).
8. Insert the bolt-pin(9) to the lower hinge (2).
9. Set the door to its place making sure the door seat at the lower hinge(2)
10. While holding the door in the closed position secure the upper hinge (5) in the top frame of left side with two screws (1). Please remember that do not tighten the two screws(1) until the top of the door is levelled with the counter top.
11. Install the upper hinge cover(6) on the upper hinge..

## 4.Changing the reversible door



**FIGURE 1**



**FIGURE 2**

FIGURE 1 - REPRESENTS POSITION OF COMPONENTS PRIOR TO DOOR REVERSAL.

FIGURE 2 - REPRESENTS POSITION OF COMPONENTS AFTER DOOR REVERSAL.

## 5. Maintenance

- ★ The refrigerator should be cleaned and maintained once a month.
- ★ When performing maintenance, make absolutely sure that the power plug is first disconnected from the power outlet.
- ★ Wipe the inner and outer surface of the refrigerator and its accessories with wet cloth. If they are too dirty, scrub them with neutral detergent, and then clean them with water and dry them with clean cloth. After this, a small quantity of glass wax is recommended to polish the refrigerator surface with a flannelette.
- ★ For cleaning, don't use hot water, diluent, petrol, alcohol, kerosene, washing powder, cleanser, alkalinous detergent, acid, Chemical cloth, etc. So as not to damage the lacquer coat and plastics. It is forbidden than the refrigerator is directly sprayed with water. Otherwise, it would cause rusty or weaken the insulation.
- ★ Be careful to upkeep the sealing rubber bars of the doors. They should always be cleaned.
- ★ If the plastic parts in refrigerator remain contaminated for a long time by oil (animal or vegetable), they will be easy aged and possibly cracked. The drain pan gets dirty very easily if it is not cleaned regularly, bad odours will be produced, get into the habit of cleaning this pan regularly.



## 6. Troubleshooting

### 1. When the refrigerator does not work

Check if there is a power failure.

Check if the power plug is plugged into the power outlet.

Check that the fuse has not blown.

### 2. When the refrigerator is cooling excessively

The temperature control dial may be set too high.

If you place foodstuffs containing a lot of moisture directly under the cool air outlets, they will freeze easily. This does not indicate a malfunction.

### 3. When the refrigerator is not cooling sufficiently

The food may be packed too tightly together which will block the flow of cool air.

You may have put something hot or a lot of foodstuffs into the refrigerator .

The door may not have been closed properly.

The door gaskets may be damaged.

The refrigerator may not be ventilated.

There may be insufficient clearance between the refrigerator and the surfaces immediately both sides and above.

The temperature control dial may not be set properly.

### 4. When the defrosting water overflows inside the refrigerator and onto the floor.

Check that the drain pipe and the drain hose are not clogged.

Check that the drain pan is housed properly.

### 5. When condensation form on the outside of the refrigerator.

Condensation may form on the outside when the humidity is high such as during a wet season. This is the same result as the condensation formed when chilled water is poured into a glass. It does not, therefore, indicate a failure, wipe dry with a dry cloth.

### 6. When you hear a sound like water flowing .

A sound like water flowing is the refrigerant flowing. It does not indicate a malfunction.

### 7. When the cabinet's side panel heats up

The side panel of the cabinet will heat up when the door is opened or closed frequently, when starting the unit and when the unit operates in summer with high ambient outside temperature, In such case, do not touch the panel, it results from the dissipation of the heat from inside the cabinet, and it does not mean that something is wrong with the refrigerator.

## **7 Technical specifications**

\*For the detailed technical specifications, please refer to the nameplate at the back of the refrigerator..

\*Specifications are subject to change without prior notice.